

# BIKE SERVICE STATIONS

FOR BICYCLES AND VEHICLES





# BIKE SERVICE STATIONS

FOR BICYCLES AND VEHICLES



SAWO

# BIKE SERVICE STATIONS

FOR BICYCLES AND VEHICLES

## BASIC EQUIPMENT

- Set of tools:
  - ✓ Screwdriver Ph2 + swivel
  - ✓ Flat screwdriver 5,5 x 1,0 + swivel
  - ✓ Adjustable wrench 0-30 mm + swivel
  - ✓ Wrench 8×10 mm + swivel
  - ✓ Wrench 13×15 mm + swivel
  - ✓ Set of allen wrench in handle |2|2,5|3|4|5|6|8|+ swivel
  - ✓ 2 x steel core tires with nylon coating
  - ✓ Stationary hand pump with piston and pressure gauge (pressure range od 0>10 BAR with adapter for all valves)
- Stainless steel cables fi4
- Up tp 1 m2 advertising space
- Anti-theft caps
- Bicycle suspension brackets

OPTIONAL MAX  
20 PCS TOOLS



SAWO

# BIKE SERVICE STATIONS

FOR BICYCLES AND VEHICLES

## OPTIONAL EQUIPMENT

- Canopy
- Lightening
- Logo space
- Extension
- Electric charger for bikes and electric vehicles

EASY TO MONTAGE  
BY ANCHORS

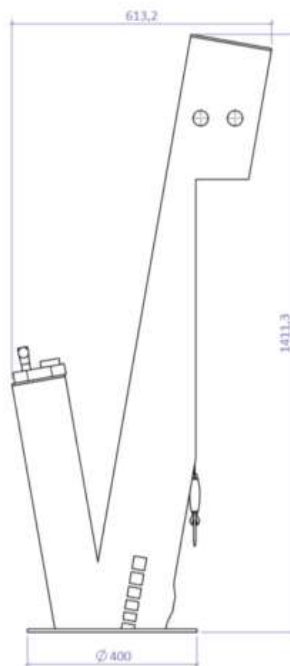
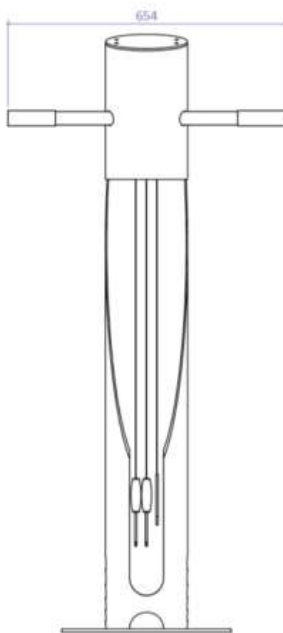


SAWO

# BIKE SERVICE STATIONS

FOR BICYCLES AND VEHICLES

BASIC MODULE

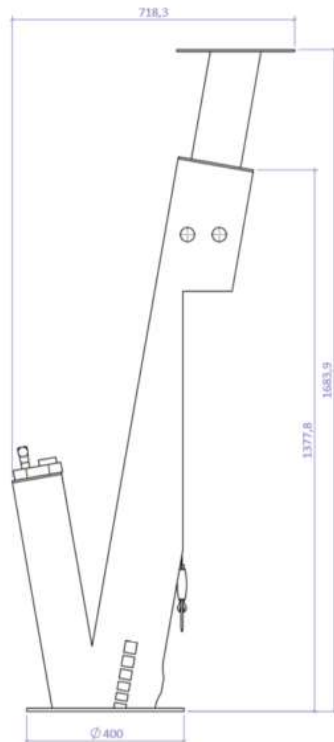
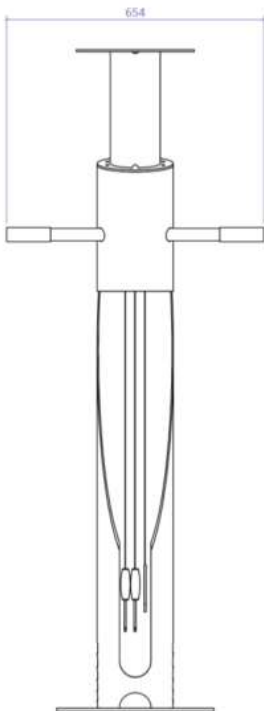


SAWO

# BIKE SERVICE STATIONS

FOR BICYCLES AND VEHICLES

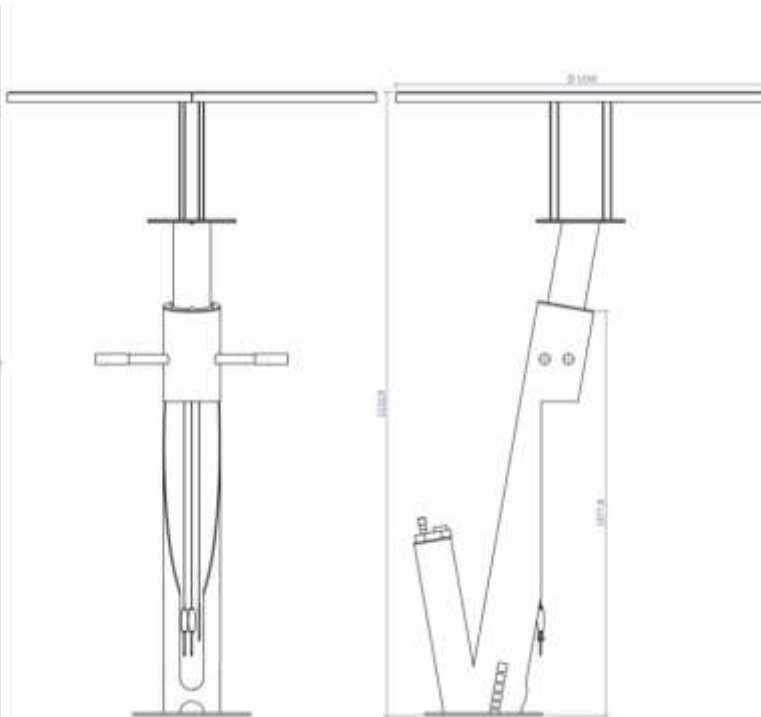
EXTENSION MODULE





# BIKE SERVICE STATIONS

CANOPY MODULE



SAWO

# BIKE SERVICE STATIONS

FOR BICYCLES AND VEHICLES

CANOPY WITH LED  
LIGHTING MODULE



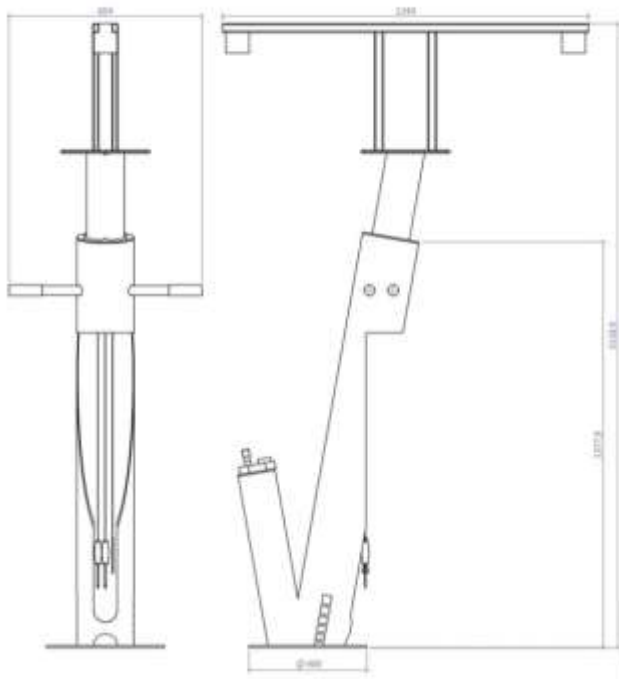
SAWO



# BIKE SERVICE STATIONS

FOR BICYCLES AND VEHICLES

LED LIGHTING MODULE



SAVO

# BIKE SERVICE STATIONS

FOR BICYCLES AND VEHICLES

E-BIKE MODULE  
ELECTRIC BIKE CHARGING SYSTEM

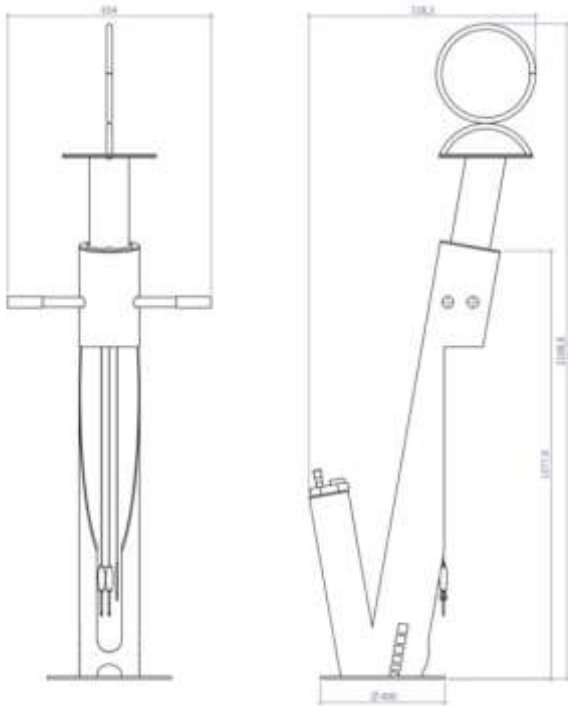


SAWO

# BIKE SERVICE STATIONS

FOR BICYCLES AND VEHICLES

LOGO MODULE



SFWO

# BIKE SERVICE STATIONS

FOR BICYCLES AND VEHICLES

BICYCLE PUMP



SAWO



# BIKE SERVICE STATIONS

FOR BICYCLES AND VEHICLES



SAVO

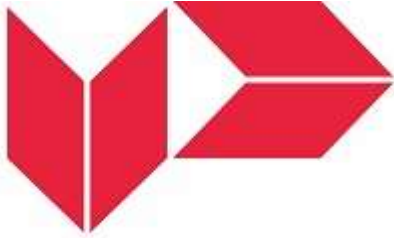


# BIKE SERVICE STATIONS

FOR BICYCLES AND VEHICLES



SALVO



PROTECTED PROJECT

The station design is submitted for protection at the Patent Office of the Republic of Poland and EUIPO.



#### SHOWROOM AND OFFICE:

ul. Dabrowskiego 247/249,  
93-231 Lodz, Poland

Tel.: +48 886-026-136

Tel.: +48 887-026-136

[info@bike-systems.com](mailto:info@bike-systems.com)

[www.bike-systems.com](http://www.bike-systems.com)

#### PRODUCTION PLANT:

ul.Brzezinska 57, 95-020 Bedon, Poland



SAWO