

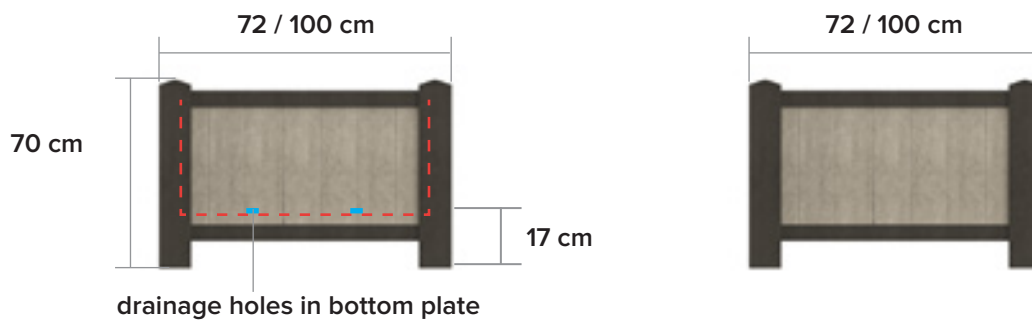


Palma

planter



measurements

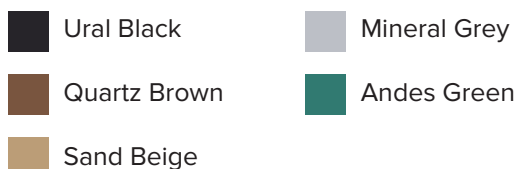


models

l x w x h	PLANTING VOLUME (L)	EMPTY WEIGHT (kg)
72 x 72 x 70	230	71
100 x 100 x 70	520	118

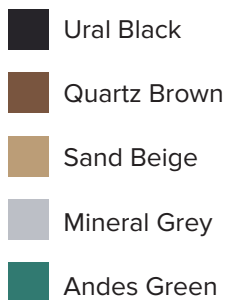


available colours



bicolour options

Boards



Legs



main advantages



100% plastic waste



Maintenance free



Rot-proof



Natural texture



Graffiti resistant



Splinter-free



Coloured throughout



Weatherproof



Completely recyclable

